

Jain Check Valve

Reverse Flow Breaker



Check Valve - Single Union Type

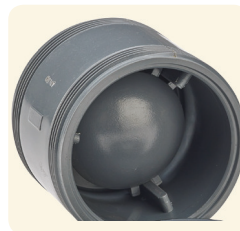


Low Friction Non Return Valve

Features & Benefits

Compact Design

Innovative design manufactured from high performance rigid PVC compound



Guided Float Slides Smoothly

Float is provided with special guides to seal properly

Easy to Install and Dismantle

Two union nuts provided for both ends provides easiness to install and dismantle valve



Non Return Valve with Low Friction Option

Can also be supplied with low friction option

Jain Check Valve

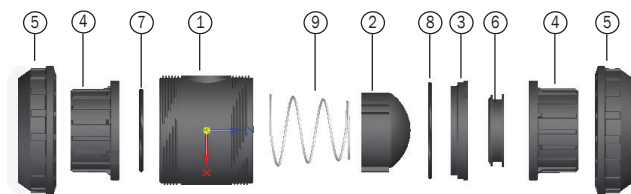
Additional Features

- Manufactured from high performance rigid PVC compound.
- Excellent chemical and corrosion resistance.
- Positive shut off prevents leakages.
- Energy saving, low frictional losses.
- Light weight.
- Available in 20, 25 & 32 mm (PN16); 40, 50 & 63 mm (PN10) and 75 & 90 mm (PN6) sizes.

Application

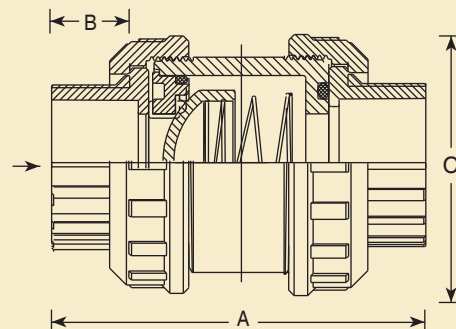
Recommended in micro/drip irrigation systems as a safety valve to prevent the water hammer and to maintain water column in delivery pipe.

List of Spaires



Sr	Description	Material
1	Body	PVC
2	Floot / Ball	PVC
3	Seat Support	PVC
4	Socket	PVC
5	Union Nut	PVC
6	Rubber Seal	Nitrile
7	'O' Ring for Socket	Nitrile
8	'O' Ring for Seat Support	Nitrile
9	Spring	SS 304

Dimensional Specification



Nominal Diameter		A	B	C
mm	inch	mm	mm	mm
20	1/2"	80.7	9.6	50.0
25	3/4"	89.2	11.2	63.0
32	1"	101.9	16.1	68.0
40	1 1/4"	119.1	18.3	84.0
50	1 1/2"	138.1	21.4	97.6
63	2"	163.7	30.6	118.2
75	2 1/2"	204.6	36.7	138.2
90	3"	214.0	38.8	142.0

Ordering Specifications - Single Union

PNRV	XX	XX
	Size, inch	Type of Connection
	0.5" - 05 0.75" - 075 1" - 1	F - Female Threaded Blank - Male X Female

Example: CV32FF - This code represents Jain Check Valve of size 32mm with BSP female threaded connection.

Ordering Specifications - Low Friction Non Return Valve

JNRB	XX	XX
	Size, inch	Type of Connection
	2.5" - 212 3" - 300 4" - 400	F - Female Threaded Blank - Male X Female

Example: JNRB212F - This code represents Jain Check Valve of size 2.5".

Ordering Specifications - Double Union

CV	XX	XX
	Size, mm	Type of Connection
	20 25 32 40 50 63 75 90	SW - Solvent Welded FF - BSP Female x Female Threaded MM - BSP Male x Male Threaded MF - BSP Male x Female Threaded

Example: CV32FF - This code represents Jain Check Valve of size 32mm with BSP female threaded connection.